



# SN-IPR5122BH-M

2MP IR Turret Network Camera



## Key Features

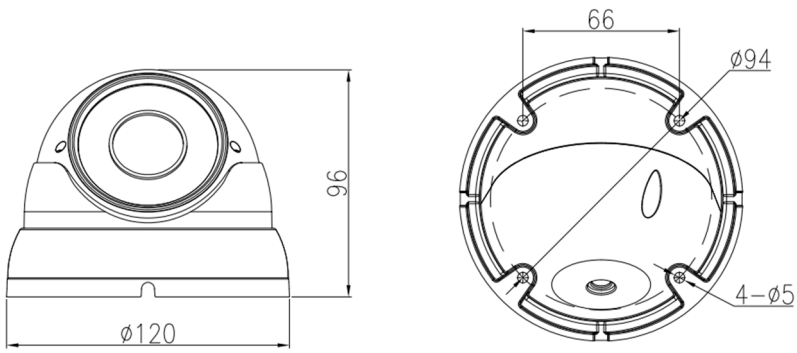
- 1/2.8" progressive scan CMOS
- 2.8~12mm manual lens
- Max resolution 1920×1080 @30fps
- Support intrusion and line crossing based on human detection
- DWDR, 3D DNR, HLC, BLC, Defog
- IR distance up to 35m
- 12V DC/PoE power supply
- IP66

# Specification

| Camera                  |   |
|-------------------------|---|
| Image Sensor            | 1/2.8" Progressive Scan CMOS                                      |
| Electronic Shutter      | Auto/Manual, 1/5 ~ 1/20,000s                                      |
| Min. illumination       | Color: 0.1 Lux @ (F1.6,AGC ON) ,<br>B/W: 0 Lux @ (IR LED ON)      |
| S/N Ratio               | 55 dB   |
| Day & Night             | IR cut filter   |
| IR Distance             | Up to 35 m (114.8 ft)   |
| IR On/Off Control       | Auto/Manual   |
| Pan/Tilt/Rotation Range | Pan: 0° ~ 360°, Tilt: 0° ~ 90°, Rotation: 0° ~ 360°               |
| Lens                    |   |
| Lens Type               | Manual focal  |
| Iris                    | Fixed Iris  |
| Focal Length            | 2.8 ~ 12 mm   |
| F Number                | F1.6  |
| Angle of View           | H: 101.9° ~ 33.6°, V: 53.6° ~ 18.9°                               |
| Video                   |   |
| Max. Resolution         | 1920(H)×1080(V)   |
| Streaming Capability    | 2 Streams   |
| Main Stream             | 1920×1080, 1280×720 @ 25/30fps                                    |
| Sub Stream              | 704×576, 640×360, 480×360, 352×288 @ 25/30fps                     |
| Bit Rate Control        | CBR/VBR   |
| Bit Rate                | Main Stream: 512kbps ~ 4096kbps<br>Sub Stream: 128kbps ~ 1536kbps |
| Image                   |   |
| Image Adjustment        | Brightness, Sharpness, Contrast, Saturation                       |
| White Balance           | Auto/Manual   |
| Mirror                  | Support   |
| Exposure Mode           | Auto/Manual   |
| Day/Night Setting       | Auto, Day, Night, Timing  |
| Noise Reduction         | 2D/3D NR  |
| Image Enhancement       | HLC, BLC, Defog   |
| Wide Dynamic Range      | DWDR  |
| Privacy Masking         | Support   |

| Event                 |   |
|-----------------------|---|
| Motion Detection      | Support   |
| Intelligent Analysis  | Intrusion and Line crossing detection based on human detection  |
| Network               |   |
| Protocols             | IPv4, RTSP/RTP/RTCP, TCP/UDP,DHCP, DNS, DDNS, UPNP, ICMP, IGMP, NTP, SMTP, 802.1x, SNMP, HTTP/HTTPS, PPPOE  |
| Interface Protocol    | ONVIF, SDK  |
| Max. User Access      | 4 Users   |
| Web Viewer            | <IE11, Chrome, Firefox, Microsoft Edge  |
| Language              | English, Chinese (Simplified), French, Korean, Polish, Italian, Spanish, German, Hungarian, Russian, Vietnamese, Thai, Danish, Czech, Slovak, Indonesian, Portuguese, Dutch, Hebrew, Arabic |
| Interface             |   |
| Network Interface     | 1 Ethernet (10/100 Base-T) RJ-45 Connector  |
| Reset Button          | N/A   |
| Electrical            |   |
| Power Supply          | DC12V/POE (IEEE 802.3af)  |
| Power Consumption     | Max 4 W   |
| Operating Temperature | -25°C ~ 55°C (-13°F ~ 131°F )   |
| Operating Humidity    | Less than 90% RH  |
| Ingress Protection    | IP66  |
| Certifications        | CE/FCC  |
| Casing                | Metal   |
| Dimensions            | φ 120 × 96mm (φ4.72" × 3.78")   |
| Net Weight            | 0.8 kg  |

## Dimensions (mm)



## Accessories

### Optional:



Junction Box  
SN-BK361



Pendant Cap  
SN-CBK201



Pendant Mount  
SN-CBK402



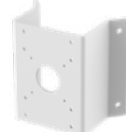
Wall Mount  
SN-CBK501



Wall Mount  
SN-CBK502



Pole Mount  
SN-CBK101



Corner Mount  
SN-CBK102